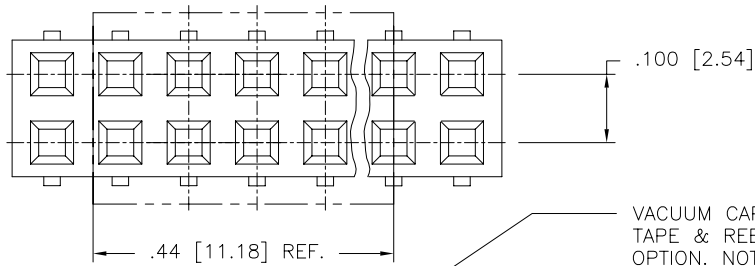


PRODUCT NO.

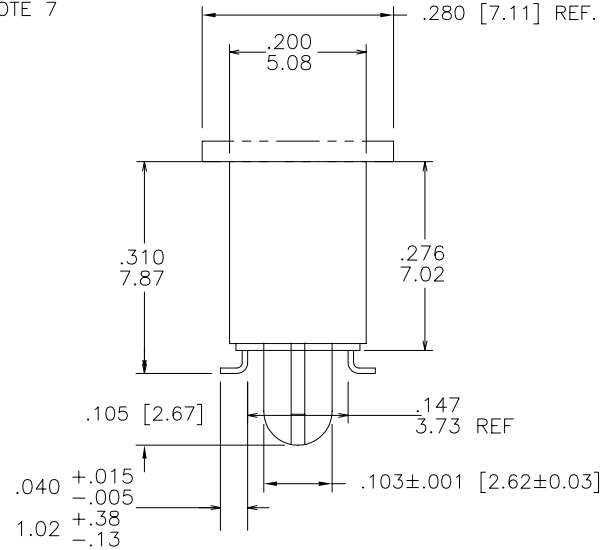
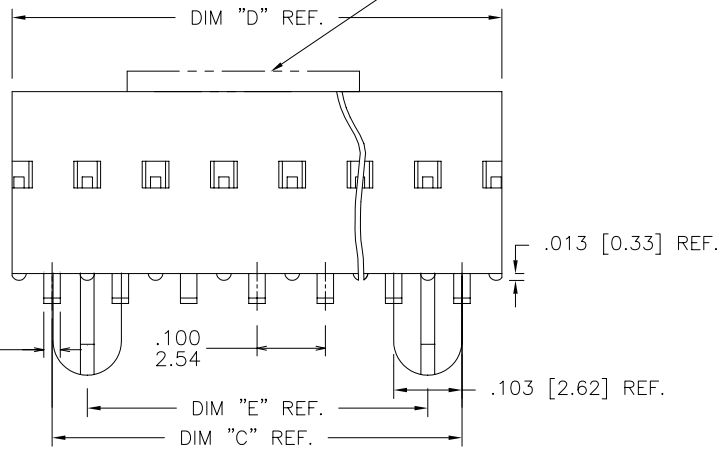
SEE TABLE

68622 - XXX - LF

- LEAD FREE OPTION
- PACKAGING OPTION NOTE8. OMIT IF NOT REQUIRED.
- NO. OF POSITIONS PER ROW
- PLATING CODE
- BASE PART NUMBER



VACUUM CAP FOR TAPE & REEL PACKAGING OPTION. NOTE 7



FCIconnect.com

Copyright FCI

mat'l. code SEE NOTES 1,3 & 7		surface ISO 1302 ✓		tolerance ISO 406 ISO 1101		projection INCH/MM		product family DUBOX	
ltr	ecn	no	dr	date		tolerances unless otherwise specified		title	
M	V20156	GIP		02/05/02		angles	linear	SMT DOUBLE ROW	
N	V21654	GIP		10/15/02				LATCHED VCC ASSEMBLY	
P	V03-0309	HTB		04/28/03		0°±2'		scale 1:1	
R	V05-0463	DPU		06/28/05		dr	J. SHREINER	12/18/90	
S	M06-0237	MN		06/19/06		enfr	M. HAHN	12/18/90	
T	M06-0433	AGS		10/31/06		chr	M. HAHN	12/18/90	
U	M07-0203	AGS		05/02/07		appd	M. HAHN	12/18/90	
sheet	revision	U	U	U	U	U	U	FCI	
index	sheet	1	2	3	4	5		type Product Customer Drawing	

PRODUCT NO NOTE 13	PLATING CONTACT AREA	PLATING SOLDER TAIL	MATERIAL REF.	
68622-2XX	15u"/.38u Au MIN OVER 50u"/1.27u Ni MIN SEE NOTE 15	100u"/160u" SN 2.54u/4.06u	NOTE 3 & 4	NOTE 13
68622-3XX	30u"/.76u Au MIN OVER 50u"/1.27u Ni MIN SEE NOTE 15	100u"/160u" SN 2.54u/4.06u	NOTE 3 & 4	NOTE 13
68622-6XX	30u"/.76u Au MIN OVER 50u"/1.27u Ni MIN SEE NOTE 15	100u"/160u" SN 2.54u/4.06u	NOTE 3 & 4	NOTE 13



Copyright FCI

mat'l. code		surface		tolerance		projection		product family	
-		ISO 1302		ISO 406 ISO 1101				DUBOX	
ltr	ecn	no	dr	date		tolerances unless otherwise specified		title	
U						.xx ±.01/0.3 .xxx ±.005/0.13 .xxxx ±.0020/0.051		INCH/MM SMT DOUBLE ROW LATCHED VCC ASSEMBLY	
				angles		linear		scale 1:1	
				0°±2'					
				dr		J. SHREINER 12/18/90		dwg no	
				enr		M. HAHN 12/18/90		sheet 3 of 5	
				chr		M. HAHN 12/18/90		size	
				appd		M. HAHN 12/18/90		A3	
sheet		revision						type	
index		sheet						Product Customer Drawing	



PRODUCT NO. NOTE 13	NO. OF POSITION	C DIM	D DIM	E DIM	TAPE & REEL PACKAGING	LF OPTIONS
68622-Y26	2 X 26	2.500/63.50	2.617/66.47	2.400/60.96	NO	NOTE 13
-Y27	2 X 27	2.600/66.04	2.717/69.01	2.500/63.50	NO	
-Y28	2 X 28	2.700/68.58	2.817/71.55	2.600/66.04	NO	
-Y29	2 X 29	2.800/71.12	2.917/74.09	2.700/68.58	NO	
-Y30	2 X 30	2.900/73.66	3.017/76.63	2.800/71.12	NO	
-Y31	2 X 31	3.000/76.20	3.117/79.17	2.900/73.66	NO	
-Y32	2 X 32	3.100/78.74	3.217/81.71	3.000/76.20	NO	
-Y33	2 X 33	3.200/81.28	3.317/84.25	3.100/78.74	NO	
-Y34	2 X 34	3.300/83.82	3.417/86.79	3.200/81.28	NO	
-Y35	2 X 35	3.400/86.36	3.517/89.33	3.300/83.82	NO	
-Y36	2 X 36	3.500/88.90	3.617/91.87	3.400/86.36	NO	
-Y37	2 X 37	3.600/91.44	3.717/94.41	3.500/88.90	NO	
-Y38	2 X 38	3.700/93.98	3.817/96.95	3.600/91.44	NO	
-Y39	2 X 39	3.800/96.52	3.917/99.49	3.700/93.98	NO	
-Y40	2 X 40	3.900/99.06	4.017/102.03	3.800/96.52	NO	
-Y41	2 X 41	4.000/101.60	4.117/104.57	3.900/99.06	NO	
-Y42	2 X 42	4.100/104.14	4.217/107.11	4.000/101.60	NO	
-Y43	2 X 43	4.200/106.68	4.317/109.65	4.100/104.14	NO	
-Y44	2 X 44	4.300/109.22	4.417/112.19	4.200/106.68	NO	
-Y45	2 X 45	4.400/111.76	4.517/114.73	4.300/109.22	NO	
-Y46	2 X 46	4.500/114.30	4.617/117.27	4.400/111.76	NO	
-Y47	2 X 47	4.600/116.84	4.717/119.81	4.500/114.30	NO	
-Y48	2 X 48	4.700/119.38	4.817/122.35	4.600/116.84	NO	
-Y49	2 X 49	4.800/121.92	4.917/124.89	4.700/119.38	NO	
68622-Y50	2 X 50	4.900/124.46	5.017/127.43	4.800/121.92	NO	
68622-Y25P	2 X 25	2.400/60.96	2.517/63.93	2.300/58.42	YES	

NOTES 7&11

mat'l. code		surface		tolerance		projection		product family	
-		ISO 1302 ✓		ISO 406 ISO 1101				DUBOX	
ltr	ecn no	dr	date	tolerances unless otherwise specified					
U				angles	linear	.xx ±0.01/0.3	INCH/MM		title
				0°±2'		.xxx ±.005/0.13	scale 1:1		SMT DOUBLE ROW
						.xxxx ±.0020/0.051			LATCHED VCC ASSEMBLY
				dr	J. SHREINER	12/18/90			dwg no
				enr	M. HAHN	12/18/90			sheet 5 of 5
				chr	M. HAHN	12/18/90			size
				appd	M. HAHN	12/18/90			A3
sheet index		revision sheet							
									type Product Customer Drawing

form: A3